



EZ-Lift Bucket Elevators

KFI's EZ-Lift bucket elevators are an integral part of our plant design. They gently elevate product to prevent chipped, scratched or broken almonds.



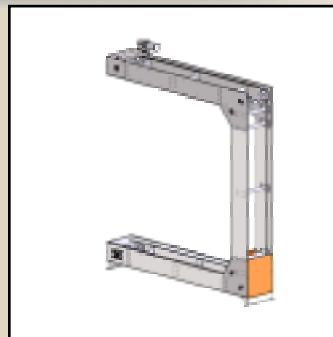
EZ-Lift bucket elevators are available in multiple sizes and configurations. Height and length are designed in 3-inch increments, and widths are available in 12, 15, 18 and 24 inches.

KFI's almond processing plants and machinery are unmatched in durability, efficiency and longevity.

We have been designing, building and installing hullers/shellers and processing equipment worldwide for 25 years. Our excellent reputation comes from our commitment to



Standard Configuration



"C" Configuration

customer satisfaction and consistently high-quality products. We proudly stand behind our work.

If you would like to visit an installation, or are interested in our products and services, contact us today!

KFI Products

- Auger Lines
- Box Dumpers
- Boxing Lines
- Bucket Elevators
- Catwalks
- Cleaning Decks
- Classifiers
- Conveyors
- Detwiggers
- EZ-Lift Elevators
- Gravity Tables
- Hard Shell Crackers
- Hullers/Shellers
- Inhull Storage Tanks
- Pre-Cleaners
- Product Elevators
- Sand Screens
- Shear Rolls
- Sizers
- Sorters
- Sorting Lines
- Stick Reels
- Support Structures
- Stainless Piping
- Transfer Hoppers
- And More!



KAMPER FABRICATION, INC.

PO Box 177
20107 N. Ripon Road
Ripon, CA 95366
(209) 599-7137
sales@kamperfab.com

www.kamperfab.com